



Copyright © 2012 Boart Longyear. All rights reserved.

S36 ROCK DRILL

Rock Drill & Blast Equipment and Technical Overview

S36 ROCK DRILL

Boart Longyear™ continues on its long history of providing premium Rock Drill and Blast Drilling products for the most demanding conditions with the S36 Independent Rotation (IR) rock drill. The S36 IR is the market leading drifter style rock drill with a powerful 144 mm diameter bore and independent rotation. It is designed for deep hole drilling in both surface and underground applications when mounted on suitable feeds and rigs.

Performance

The S36 IR provides exceptional performance through fast penetration rates, high durability, and efficient air consumption. It utilizes a powerful, independent gear type rotation motor with high-torque for use in a wide variety of ground conditions. The independent hammer and rotation allows for varied adjustments to help dial in optimal performance based on the application as well as easier coupling and uncoupling of drill steels.

Applications

The S36 IR performs exceptionally well in both underground and surface applications. Underground, it can be mounted on either screw or chain feed cradles for development tunneling, fan hole, and ring drilled blast holes. Special purpose applications can be extended to long holes for water drainage or communication purposes.

For surface applications, the S36 IR is an ideal machine for track drill or wagon drill use when mounted on a chain feed. It can be used for quarry benching and pre-splitting holes as well as for general-purpose drilling in civil contracting. The S36 IR is the standard pneumatic drill for Boart Longyear's Stopemate product line.

PREMIUM MATERIALS

The S36 uses premium materials, machined to exacting specifications to deliver high performance and exceptional durability.

PROVEN TECHNOLOGY

Boart Longyear's S36 IR rock drill is based on a time-tested, market-leading drifter design.

UTILITY

The S36 is ideal for both underground and surface applications. It is designed for multiple mounting applications and can be operated in a variety of conditions and orientations.



Design

The S36 IR is based on a proven, durable design that has been updated to include premium materials designed and manufactured to exacting tolerances. The internal component layout is designed to provide excellent durability performance under the most demanding conditions. Efficient lubrication is achieved through atomized oil that is introduced via a lubricator fitted to the incoming air line. This feeds the internal lubrication system, which provides oil to the key internal and heavily loaded components for maximum life. The S36 is designed for remote control operation only.

Variations

The S36 IR is offered in a variety of build options available to suit specific application requirements. It can be mounted on a powerfeed screw cradle for up to 2 meter feed length, a chain feed for longer feed lengths, or any suitable existing feed system with purpose made drill carriages. Flushing tubes are offered in 11 mm for wet drilling, or 14 mm for dry drilling. The S36 IR uses a 44 mm diameter, 4 spline shank.

Premium Benefits

The S36 IR's outstanding performance and reliability deliver world class productivity with fast penetration rates and minimal downtime. The field-tested design was developed for the most demanding conditions and provides a durable, long-lasting machine. The S36 design allows for easy on-site maintenance.

The S36 IR is assembled and tested in Canada from premium materials and exact specifications. Every Boart Longyear S36 IR drill is measured against the highest standards for output and capacity prior to shipment to ensure that each drill delivers on performance, guaranteed.

Accessories and Services

The S36 can be ordered with the following accessories including a football lubricator, MK5 feed frame, collaring device, remote control unit and training.

DRY OR WET

The S36 IR drill is designed to accommodate either wet or dry drilling without compromise.

DURABILITY

The S36 IR incorporates an external feed, internally distributed lubrication system to deliver atomized oil to key components for longer life.

SERVICE AND TRAINING

Boart Longyear offers on-site service training and complete rebuild and overhaul services to ensure optimal drill performance and extended life.



S36 TECHNICAL INFORMATION

IR Rock Drill

IR Rock Drill Specification:		
Hole Size	Metric	U.S.
Nominal Diameter	35 - 89 mm	1.38 - 3.5 in
Nominal Length	up to 46 m	up to 150 ft
Reamed Diameter	up to 127 mm	up to 5 in
Blows / Minute	1630 @ 500 kPa	1630 @ 72.52 psi
Air Consumption	14 m ³ / min @ 500 kPa	494.41 cfm @ 72.52 psi
Air Connection	-	1 1/4 in BSP
Rotation Motor	-	1 in BSP

Hose Requirements		
	Metric	U.S.
Percussion Hose Diameter	40 mm	1.5 in
Rotation Hose Diameter	25 mm	1.0 in
Water Hose Diameter	20 mm	0.75 in
Air Consumption	212 L/sec @ 7 bar	450 cfm @ 100 psi

Percussion		
	Metric	U.S.
Frequency	27 Hz @ 500 kPa	27 Hz @ 72.5 psi
Bore	114 mm	4.49 in
Stroke	86 mm	3.39 in

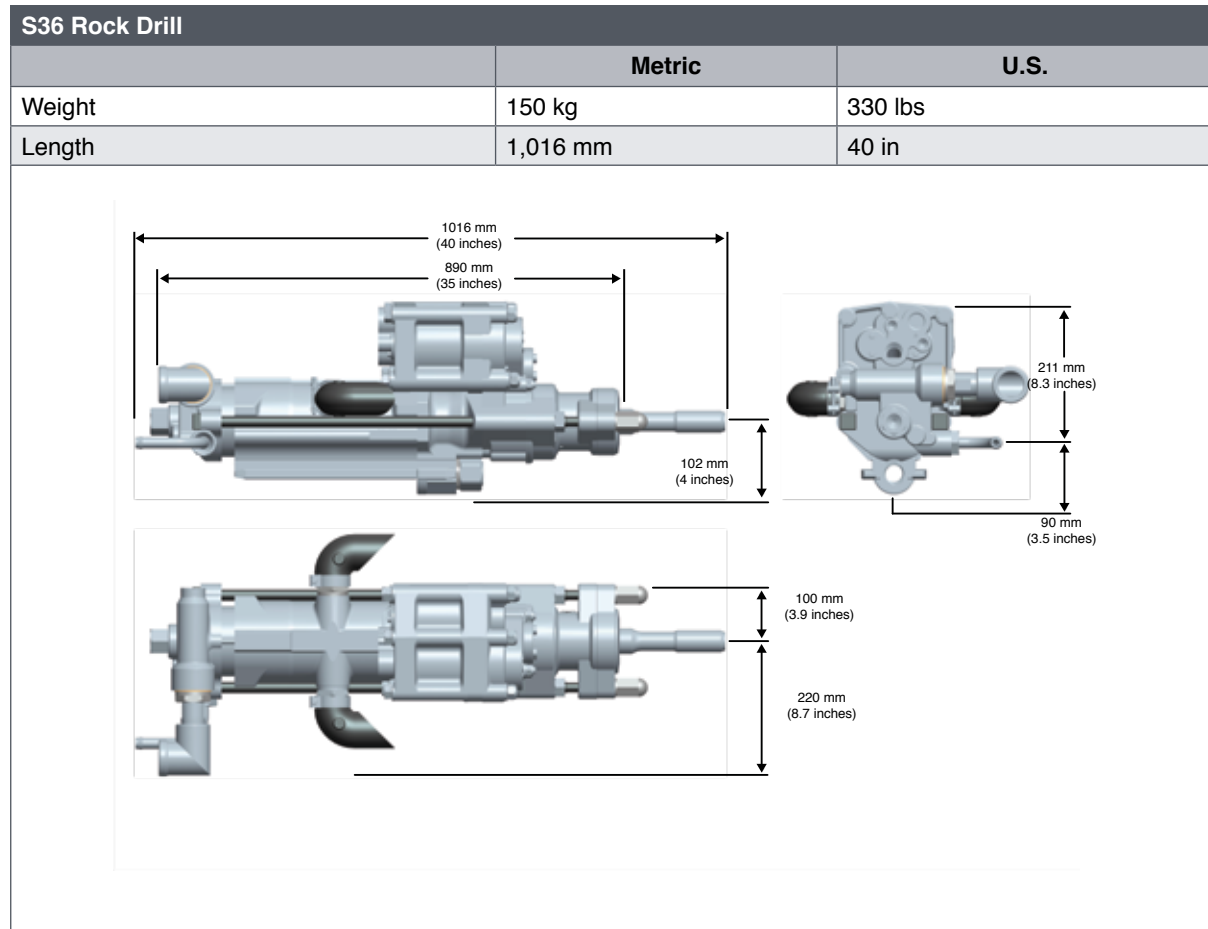
Water Requirements		
	Metric	U.S.
Minimum flow (flushing)	37 L/min @ 5 bar max.	10 gpm @ 70 psi max.

Rotation Torque (@ 120 rpm)		
	Metric	U.S.
	320 Nm @ 500 kPa	236 ft lbs @ 73 psi

Shank Options		
Male	R32, R38, HM38, HM45	

S36 DIMENSIONS AND WEIGHTS

IR Rock Drill





TECHNICAL SERVICES GROUP

Your equipment investment is supported by experienced Boart Longyear teams of factory-based service technicians. In-house and field-based repair services are available as well as technical advice and support.

With fully equipped facilities and professional staff, we provide:

- OEM-trained staff and genuine parts to optimize your Boart Longyear drilling fleet
- Guaranteed component repair and overhaul
- Drill rig repair, overhaul and modification
- Direct access to OEM manufacturing support staff, technical data and engineering

TRAINING

Being able to operate, maintain and troubleshoot your own drilling equipment starts with understanding how and why all the various components work. Boart Longyear offers training programs that provide the key information needed to properly operate and perform basic repairs on S36 rock drills. This training can help minimize down-time related to equipment maintenance.





Global Headquarters

Boart Longyear
10808 South River Front Parkway
Suite 600
South Jordan, Utah 84095
United States of America
info@boartlongyear.com

Tel: +1 801 972 6430
Fax: +1 801 977 3374

Latin America

Boart Longyear
Portal Riesco
Av. El Salto 4001, Huechuraba
Santiago, Chile 858 0641
infochile@boartlongyear.com

Tel: +56 2 595 3300
Fax: +51 242 671

Canada

Boart Longyear
2442 South Sheridan Way
Mississauga, Ontario
Canada L5J 2M7
info@boartlongyear.com

Tel: +1 905 822-7922
Fax: +1 905 822-7232

Europe

Boart Longyear
12 Avenue des Morgines
CH1213 Petit-Lancy,
Geneva, Switzerland
infoEU@boartlongyear.com

Tel: +41 22 709 0800
Fax: +41 22 709 0801

Asia Pacific

Boart Longyear
26 Butler Boulevard
Adelaide, 5950
Australia
infoAP@boartlongyear.com

Tel: +61 8 8375 8375
Fax: +61 8 8375 8497

Sub-Saharan Africa

Boart Longyear
Cycad House, Constantia Office Park
Cnr 14th Avenue and Hendrik Potgieter
Weltevreden Park, 1709
Gauteng, South Africa
infosaa@boartlongyear.com

Tel: +27 11 767 9300
Fax: +27 11 767 9301

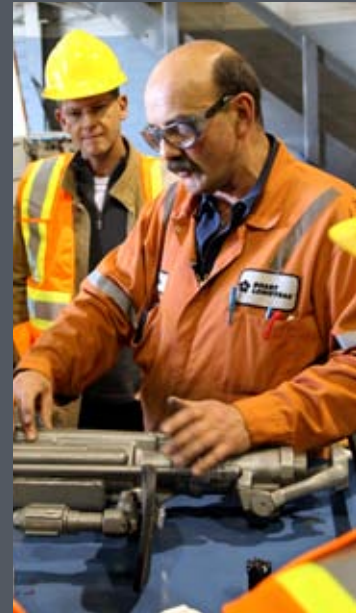
ROCK DRILL AND BLAST DRILLING PRODUCTS



Production Equipment



Rock Drill and Blast Tooling



Technical Services and Training